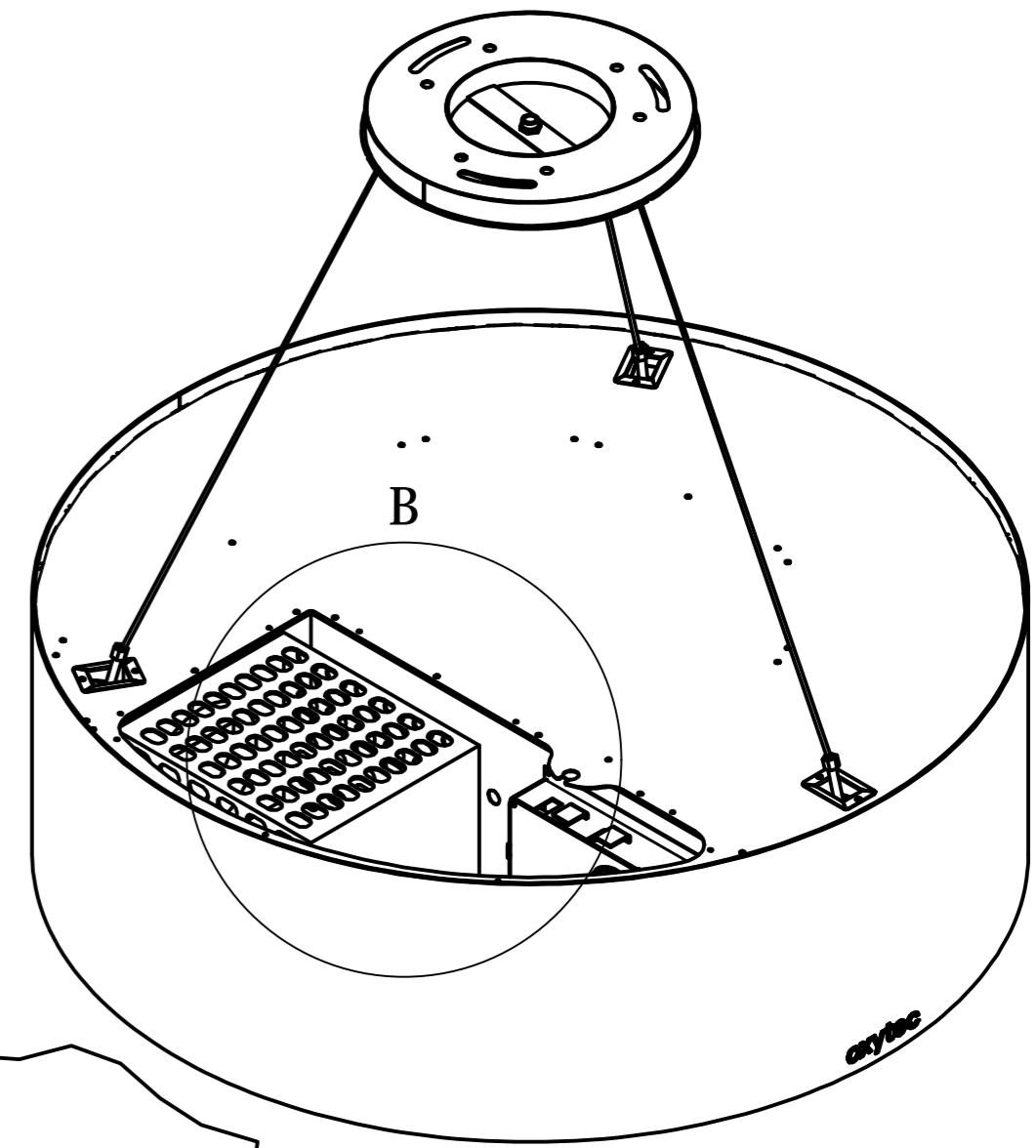
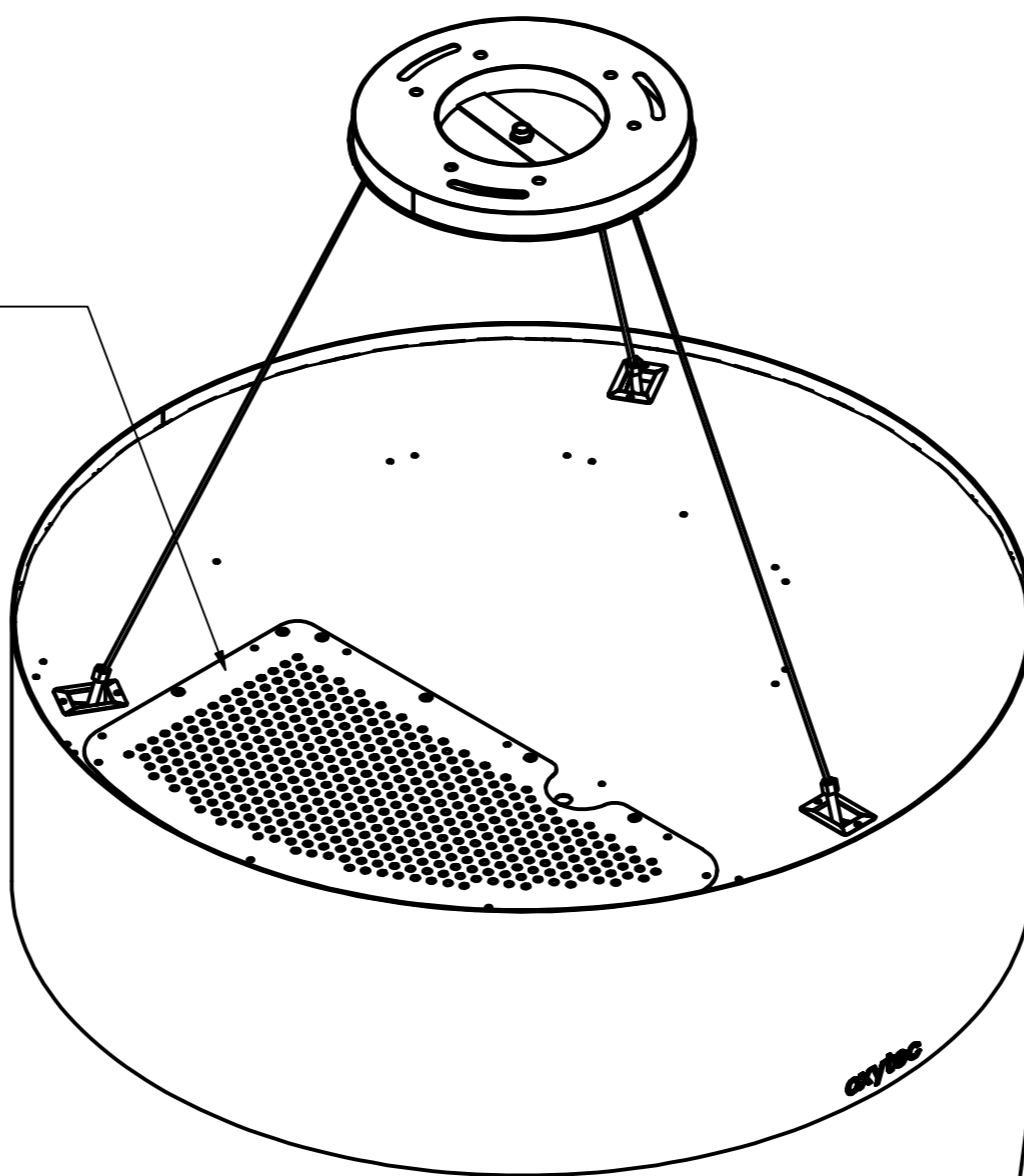
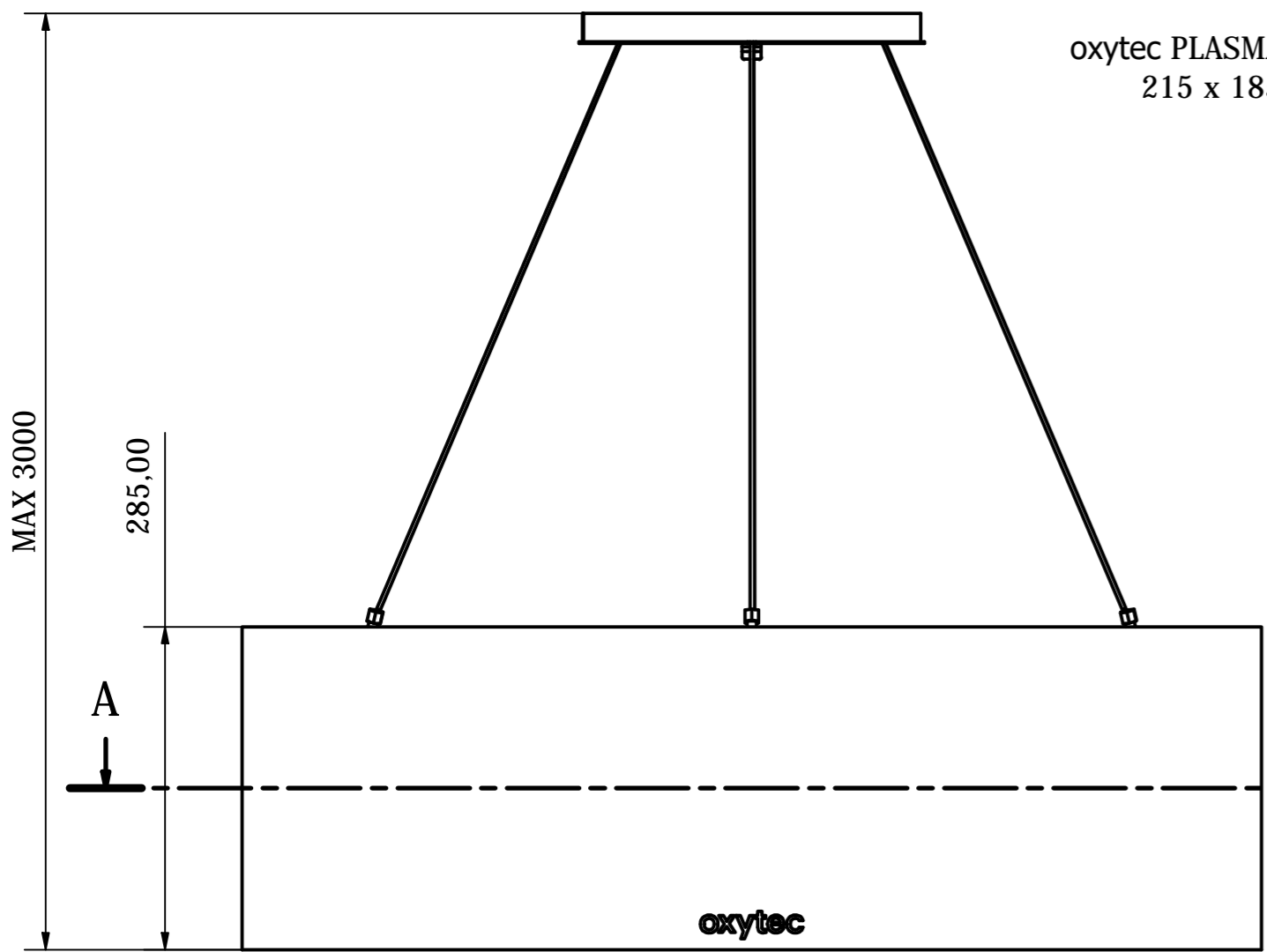
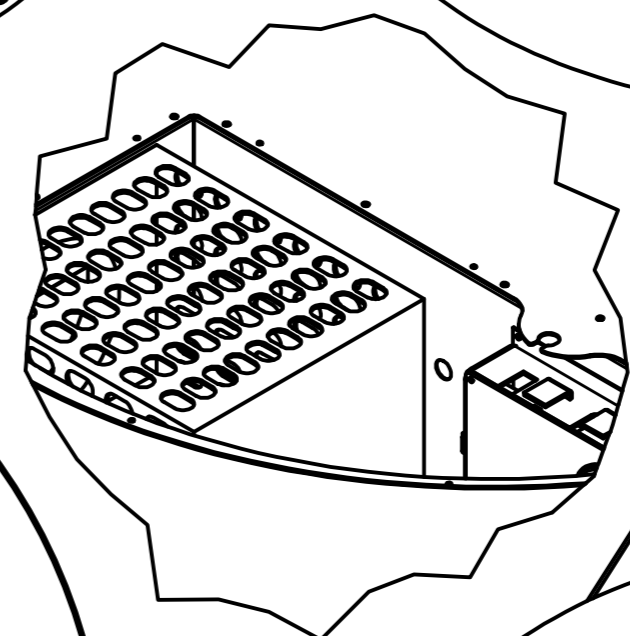


REMOVABLE PANEL FOR PLASMA BOX ACCESS

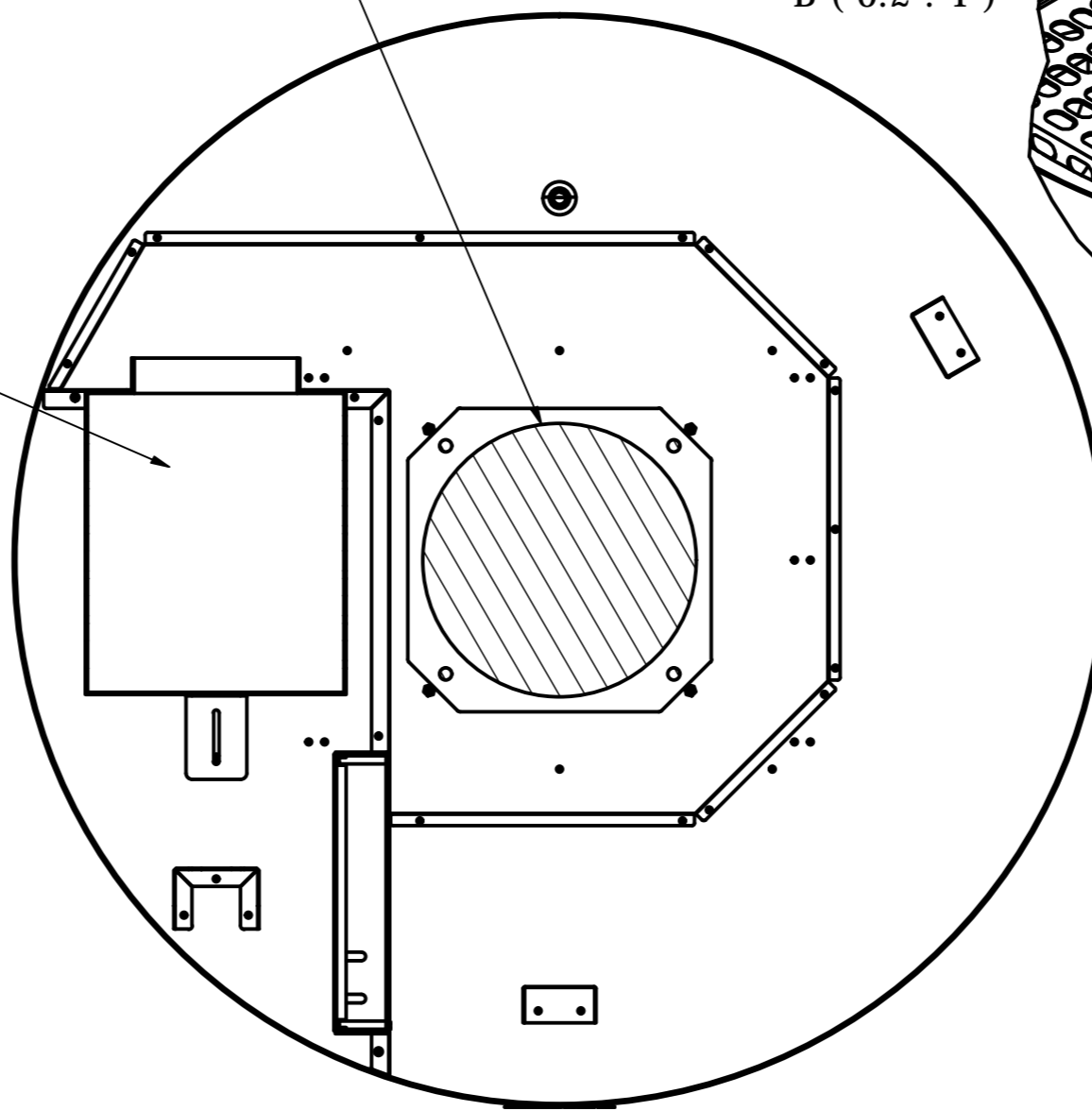


BLOWER OXYTEC

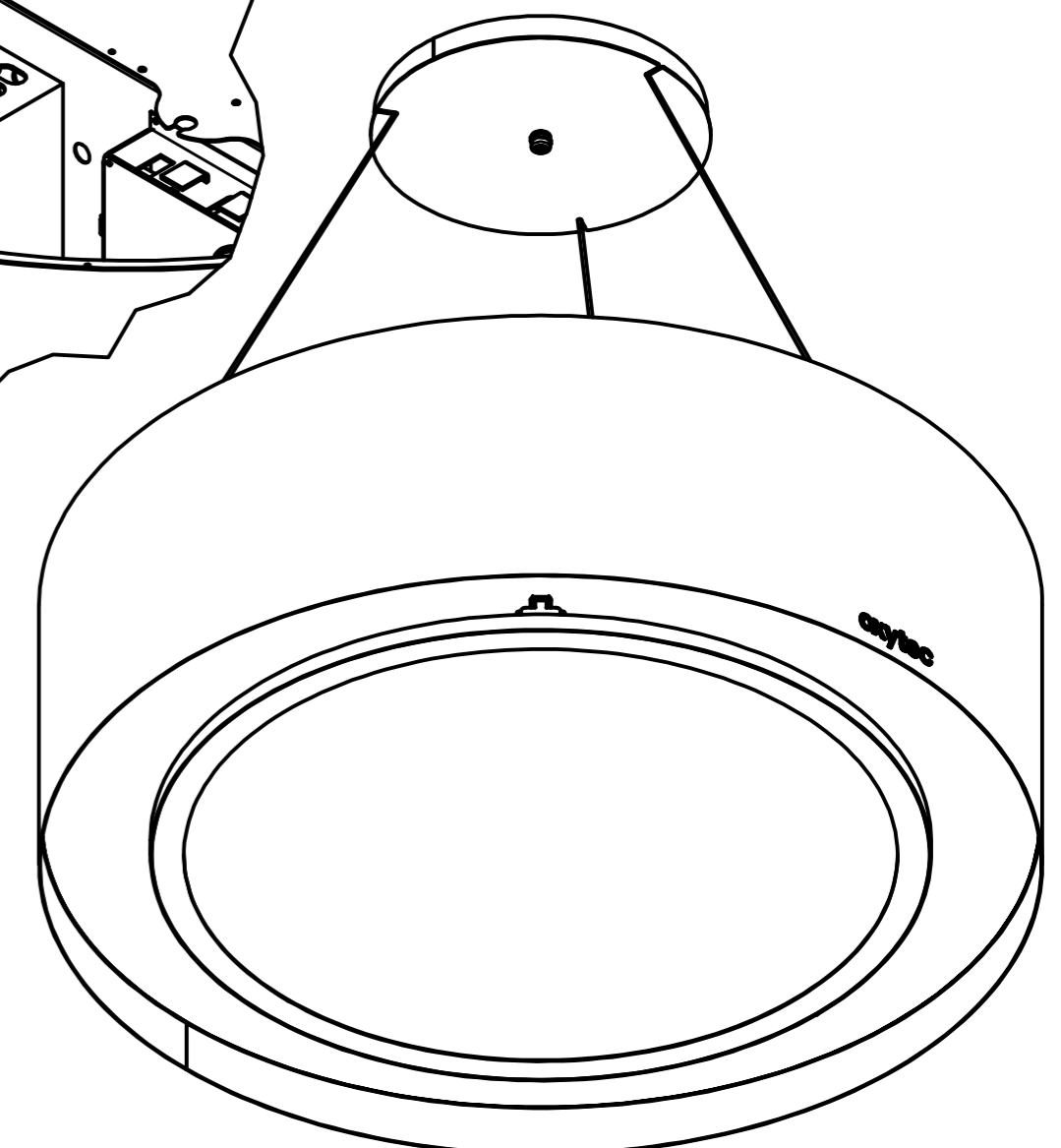
B (0.2 : 1)



oxytec PLASMA BOX
215 x 185 x 250



A-A



C (0.5 : 1)

TABLE	
COLOR	COLOR SERIGRAPHY
9005 MAT	GLOSSY GRAY 7046
9016 GLOSSY	GLOSSY GRAY 7046
7016 MAT	GLOSSY GRAY 7046
8029 MAT	GLOSSY GRAY 7046
8004 MAT	GLOSSY GRAY 7046
ROSE / RED	GLOSSY GRAY 7046
RAL 1014	GLOSSY GRAY 7046

2					
1					
08/04/2022	0				
DATE	MOD.Nº	MODIFICATION DESCRIPTION	DRAWING BY		APPROVED BY
MODEL CLEANAIR CLOUD			DRAWING	SCALE	
DETAIL			CODE	FORMAT	A2
MATERIAL			THICK	FINISH	BLACK
				WEIGHT	N/A
				 mm	

A TERM OF LAW WE RESERVE THE OWNERSHIP OF THIS DRAWING WITH PROHIBITION COMMUNICATED TO OTHERS OR USE THEM FOR ANY CONSTRUCTIVE PURPOSE

TOLERANCE UNLESS OTHERWISE STATED (ISO 2768-1)

Ø 30	± 0.10
Ø 40	± 0.10
Ø 50	± 0.10
Ø 60	± 0.10
Ø 70	± 0.10
Ø 80	± 0.10
Ø 90	± 0.10
Ø 100	± 0.10
Ø 120	± 0.10
Ø 150	± 0.10
Ø 200	± 0.10
Ø 250	± 0.10
Ø 300	± 0.10
Ø 400	± 0.10
Ø 500	± 0.10
Ø 600	± 0.10
Ø 700	± 0.10
Ø 800	± 0.10
Ø 900	± 0.10
Ø 1000	± 0.10
Ø 1200	± 0.10
Ø 1500	± 0.10
Ø 2000	± 0.10
Ø 2500	± 0.10
Ø 3000	± 0.10
Ø 4000	± 0.10
Ø 5000	± 0.10
Ø 6000	± 0.10
Ø 8000	± 0.10
Ø 10000	± 0.10